



Application Guide Visitation



Benefits

- Fully Integrated, Professional Quality, Communication
- Reliable
- Easy to install & operate
- Engineered & Built in USA
- 36-Month Limited Warranty

Visitation Intercom Phone Systems need to have quality audio while being durable. Tech Works takes it a step further and provides Tamper Supervision of the handset so if either the visitor or the inmate tries to destroy or tamper with the handset the guard can be notified immediately. Our handsets are rugged construction and use magnetic hook switches so there are no parts to break or tamper with. All switching is electronic and secure behind a stainless steel face plate.

All conversations can be monitored and/or recorded. Each handset pair has a dedicated connection for remote supervision and monitoring. This connection can be used or ignored depending on the type of application. If used for supervision the guard is notified immediately if anything is wrong with the handset. If recording or monitoring is required, for each handset conversation, both visitor and prisoner audio, is provided for listening.



Features

Expandable

When you want to add on or change the design just plug in more devices with the features you need.

Versatile

With the ever expanding range of Tech Works' products, almost any system design to be simple to put together.

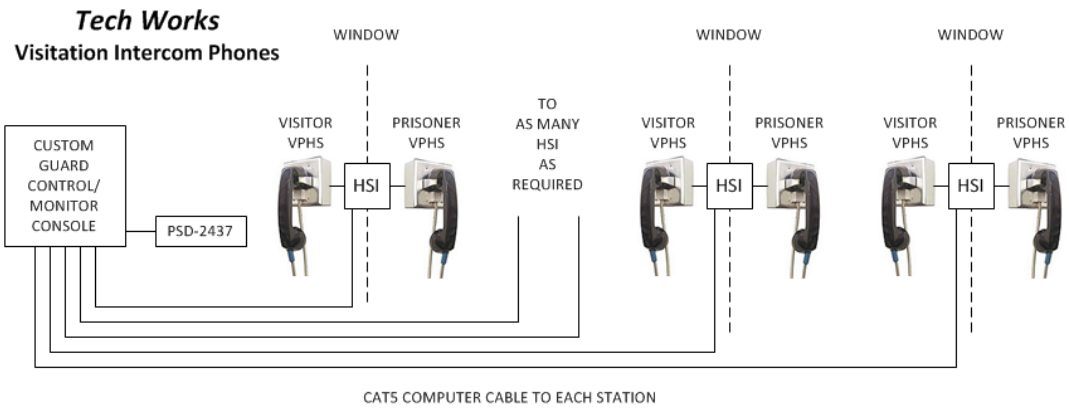
Tech Works®

Making Specialized Communication Easy

1-800-813-1080 | www.tech4people.com



System Design Layout and Connections



System components

Part No.

VPHS-M	Vandal Proof Handsets with Handset Master Interface
VPHS	Vandal Proof Handset - Slave
PS-2437	Power Supply can be individual per handset pair or one per system
CAT5 - (Length)	Patch Cable from each handset

