

## 5400 DIGITAL INTERFACE MODULE

### BENEFITS

- Low Cost
- Field Programmable
- Easy to Install
- Industry Standard  
Connectors

The Tech Works **5400** Digital Interface Module is designed to provide industry standard interface to our RS485 Network Systems. A standard RJ connector allows RS232 serial interface to products such as pocket pager, serial printer, CCTV, personal computer, access control, etc. Each point in a system is output any time a change of status occurs. The point is identified by its unique Master, Column, and Lamp address. Up to 20 characters of ASCII text can be added to each point for user friendly output or commands to control other equipment. This data is entered using a standard PC RS232 interface and common communications software. Software settings allow the installer to set Time, Date, and Status (steady, flashing, or off) output with each event. The output can be tailored to allow direct printer logging output of each event with Text, Time, Date, and Status or Text only output for command control interface.

### Associated Equipment

*Clinic-Call™, Court-Call™, Light-Call™,  
Voice-Call, Residence-Call*

### Design Information

12 VDC - <200 mA  
Dimensions - 6.0" W, 1.5" H, 5.0" D.  
RS485 - Screw Terminals  
RS232 - RJ45 Connector

### Architects' and Engineers' Specifications

The Light Signaling System shall include a Digital Interface Module (DIM) for integration of a printer or serial command control device. The DIM shall provide bi-directional interface to the Light Signaling Network. Any change of status in any device on the network shall be output as an ASCII text message capable of including the point identification, point status, time, date, and up to 20 characters of user programmable text. Programming shall be possible with any standard EIA RS232 PC communications interface. DIM's requiring special hardware or software for user interface shall not be considered under this specification.

The Digital Interface Module shall be  
Tech Works Model 5400.

## Tech Works™

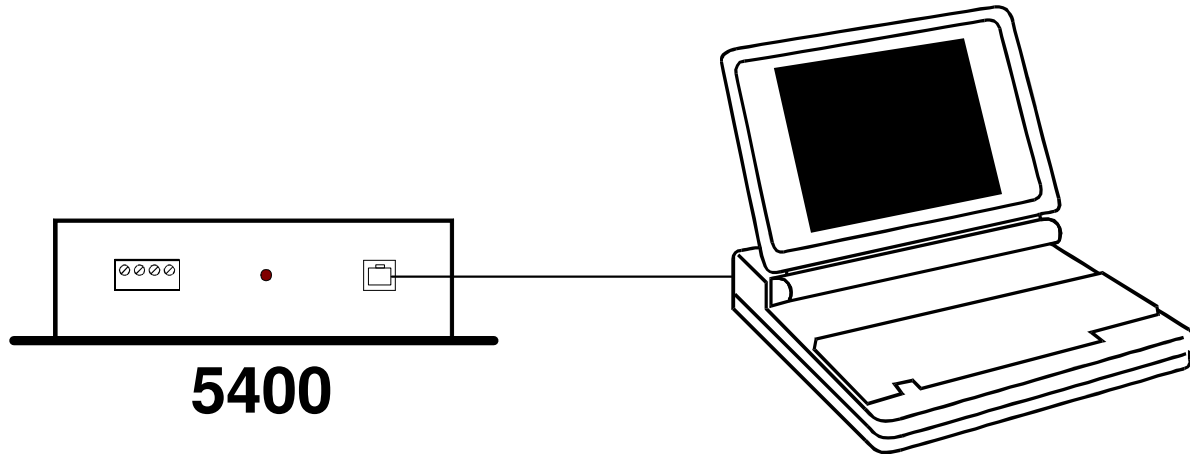


"Making Specialized Communication Easy"

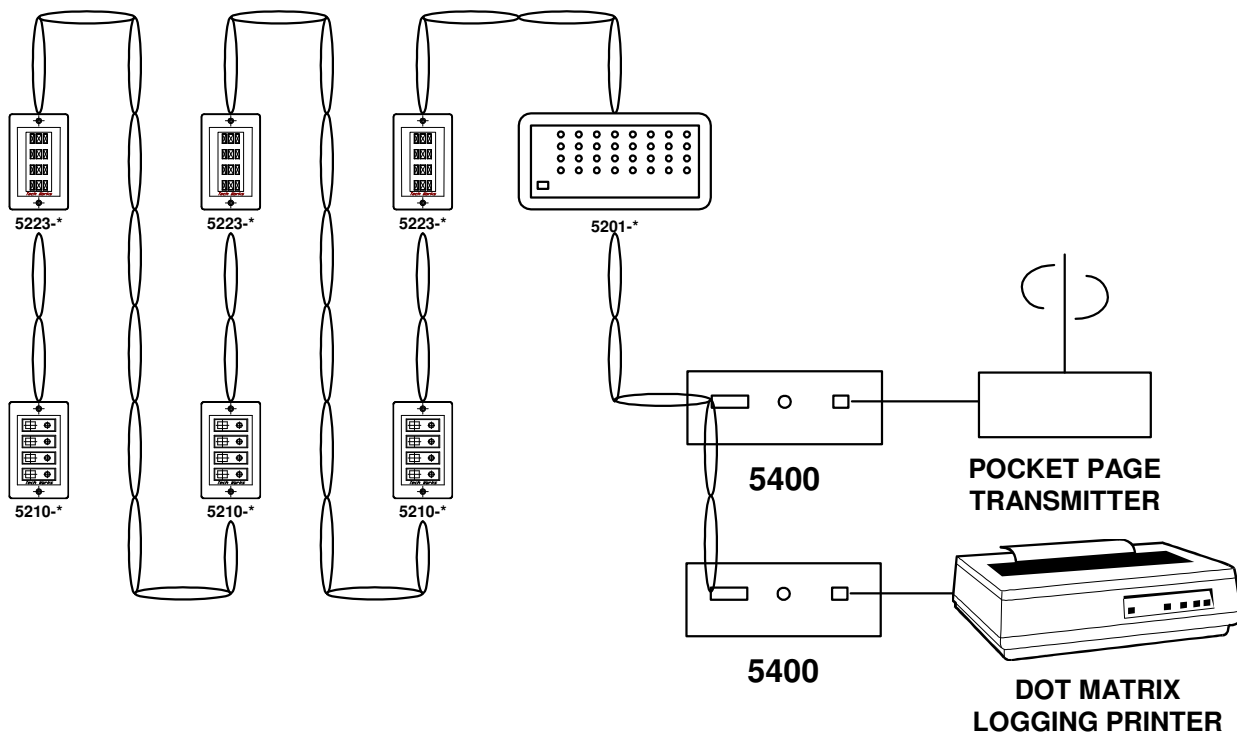
A Division of: **United Communication Technology, Inc.**  
22347 La Palma Ave., Suite #107, Yorba Linda, CA 92887  
Direct Line: **714-694-1040** Fax: **714-694-1041** Toll Free: **1-800-813-1080**  
Web site **www.tech4people.com**

# Digital Interface Module

Plug it into your computer to program the setup and text output....



Then,  
Plug it into your *Tech Works* network  
and a printer or a pocket pager and go to work!



## It's that simple!

Tech Works 5400 Digital Interface Module